

Engineering Specification

Job Name _____
 Job Location _____
 Engineer _____
 Approval _____

Contractor _____
 Approval _____
 Contractor's P.O. No. _____
 Representative _____

BCO-1200-RX-28

Floor Cleanout with Extra Heavy Duty Round Stainless Steel Top

Specification

BLÜCHER BCO-1200-RX-28 stainless steel floor cleanout with 5" round adjustable gasketed extra heavy duty stainless steel top, removable gas tight gasketed stainless steel cleanout plug, and no hub (standard) outlet.



Call customer service if you need assistance with technical details.

Model No.	Pipe Size
BCO-1203-RX-28	3"(76)
BCO-1204-RX-28	4"(102)

Outlet Type	
Suffix	Description
NH	No Hub (MJ)

Options	
Suffix	Description
-C	Membrane Clamp
-6	Vandal Proof

Load Rating
XHD

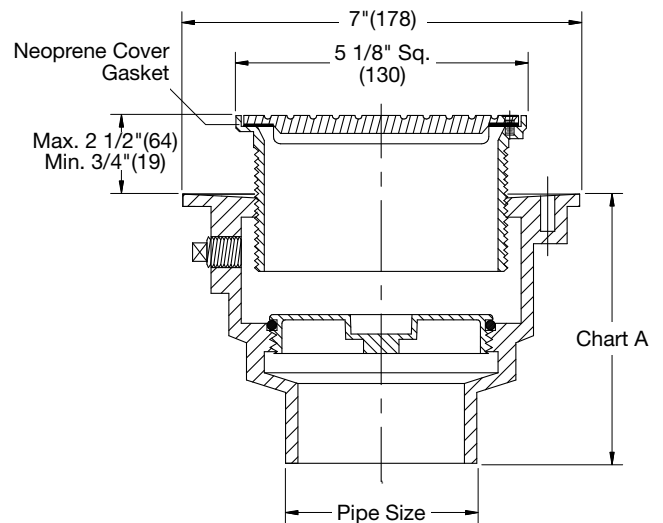


Chart A

Pipe Size	NH No Hub (MJ)
3"(76)	4 1/2"(114)
4"(102)	4 3/4"(121)

NOTICE

The information contained herein is not intended to replace the full product installation and safety information available or the experience of a trained product installer. You are required to thoroughly read all installation instructions and product safety information before beginning the installation of this product.

NOTICE

The load classifications are in accordance with the American National Standards ASME A112.21.1M ASME Ratings are as follows:
 XHD - Safe Live Load 7500-10,000 lbs. (3375-4500 kg)
 The above categories are given as a guide only. Please consult factory.

BLÜCHER product specifications in U.S. customary units and metric are approximate and are provided for reference only. For precise measurements, please contact BLÜCHER Technical Service. BLÜCHER reserves the right to change or modify product design, construction, specifications, or materials without prior notice and without incurring any obligation to make such changes and modifications on BLÜCHER products previously or subsequently sold.



A WATTS Brand

USA: T: (800) 338-2581 • Watts.com
Canada: T: (888) 208-8927 • Watts.ca
Latin America: T: (52) 55-4122-0138 • Watts.com