

Specification Sheet

895.403.110 S PIPE HANGER WITH EPDM

-Diameter: Ø110mm
-Material: stainless steel & EPDM

Product Codes

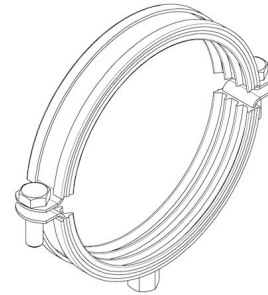
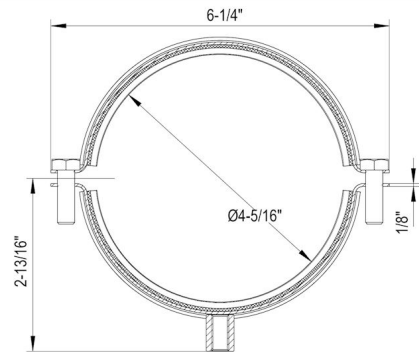
EAN: 5705499128185
VVS Number: 160363110
RSK Number:
NRF Number: 2171012
LVI Number:

Specification

Material: AISI 316L
Material (EN): EN 1.4404
Nut: M10
Outlet dia. (mm): 110
Outlet Diameter (Inch): 4
Type: Pipe Hangers
Weight (kg): 0.24
Weight (lbs): 0.53

Approvals CSTB

FR - DTA 14.1/12-1811*V2 EuroPipe



BLÜCHER®