

# Specification Sheet

## 766.403.075 S INDUSTRIAL DRAIN, LOW

-Floor: concrete and tiled  
-No membrane, frame: 300x300mm  
-Outlet: Ø75mm, vertical  
-Stainless steel: AISI316L/EN1.4404  
Part of USA order number: BFD-343-316

### Product Codes

EAN: 5705499110326

VVS Number:

RSK Number:

NRF Number:

LVI Number: 3303552

### Specification

Floor: Concrete / Tiled

Material: AISI 316L

Material (EN): EN 1.4404

Membrane Type: No Membrane

Number of Inlets: 0

Number of Screw Holes: 0

Outlet dia. (mm): 75

Outlet Diameter (Inch): 3

Outlet Direction: Vertical

Shape: Square

Size (mm): 300x300

Size of Frame (Inch): 11-3/4 x 11-3/4

Type: Drains

Weight (kg): 4.75

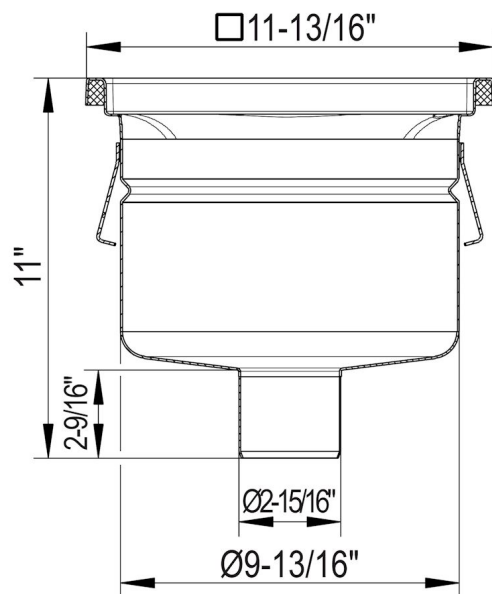
Weight (lbs): 10.47

### Approvals

 DK - VA 2.42/19497-21

PL - Hygienic Certificate - All products

RU - 0212321 Drains-21



**BLÜCHER**®