

Specification Sheet

756.513.110 HYGIENICPRO INDUSTRIAL DRAIN, LOW

-Floor: concrete, tiled and resin
-No membrane, frame: Ø12 inch
-Outlet: Ø4 inch, horizontal
-Stainless steel: AISI304/EN1.4301
Part of USA order number: BFD-574L-SO

Product Codes

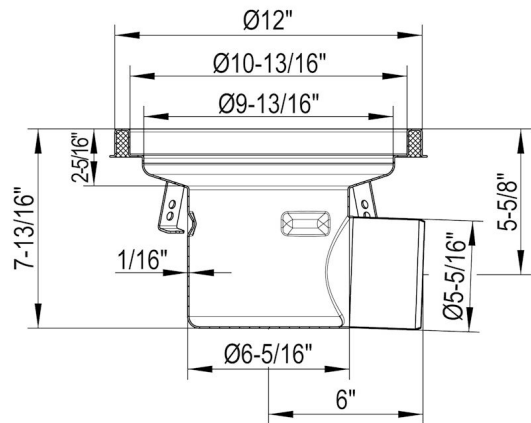
EAN: 5705499137866
VVS Number: 221803101
RSK Number:
NRF Number:
LVI Number: 3305608

Specification

Floor: Concrete / Tiled / Resin
Material: AISI 304
Material (EN): EN 1.4301
Membrane Type: No Membrane
Number of Inlets: 0
Number of Screw Holes: 0
Outlet dia. (mm): 110
Outlet Diameter (Inch): 4
Outlet Direction: Horizontal
Shape: Round
Size (mm): Ø305
Size of Frame (Inch): Ø12
Type: Drains
Weight (kg): 3.39
Weight (lbs): 7.47

Approvals

US - NSF



BLÜCHER®