

Specification Sheet

755.503.110 HYGIENICPRO INDUSTRIAL DRAIN, MEDIUM

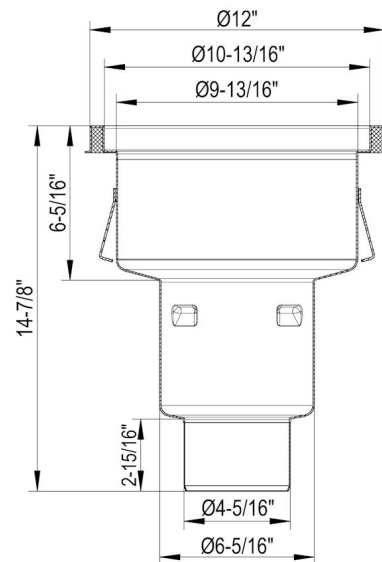
-Floor: concrete, tiled and resin
-No membrane, frame: Ø12 inch
-Outlet: Ø4 inch, vertical
-Stainless steel: AISI304/EN1.4301
Part of USA order number: BFD-574M

Product Codes

EAN: 5705499137781
VVS Number: 221803002
RSK Number:
NRF Number:
LVI Number: 3305600

Specification

Floor: Concrete / Tiled / Resin
Material: AISI 304
Material (EN): EN 1.4301
Membrane Type: No Membrane
Number of Inlets: 0
Number of Screw Holes: 0
Outlet dia. (mm): 110
Outlet Diameter (Inch): 4
Outlet Direction: Vertical
Shape: Round
Size (mm): Ø305
Size of Frame (Inch): Ø12
Type: Drains
Weight (kg): 4.35
Weight (lbs): 9.59



BLÜCHER®