

Specification Sheet

670.000.022 HYGIENICPRO TILE ADAPTOR DRAIN

-For drain in tiles

-Stainless steel: AISI304/EN1.4301

Product Codes

EAN: 5705499138009

VVS Number: 164130202

RSK Number:

NRF Number:

LVI Number: 3305619

Specification

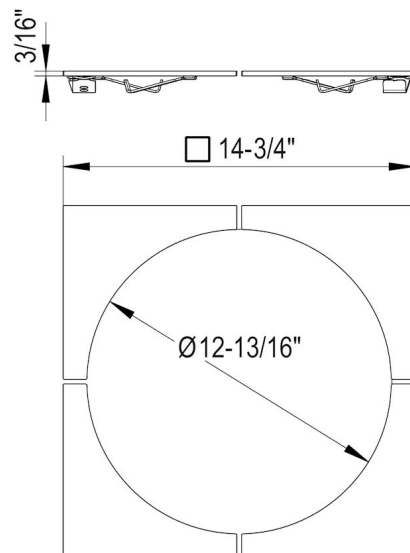
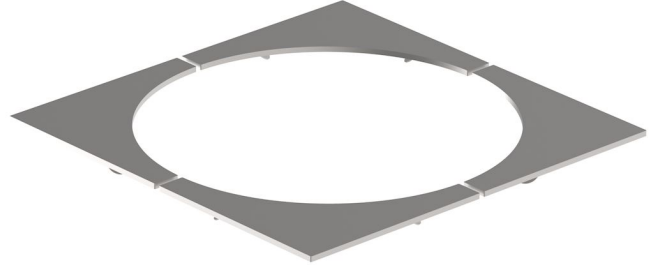
Material: AISI 304

Material (EN): EN 1.4301

Type: Other Products

Weight (kg): 2.33

Weight (lbs): 5.14



BLÜCHER®