

Specification Sheet

525.090.075 S P-TRAP 87.5°

-Diameter: Ø3 inch
-Water seal height = 3-1/4 inch
-Stainless steel: AISI316L/EN1.4404
US order number: PT-3

Product Codes

EAN: 5705499101478
VVS Number: 160381375
RSK Number: 1550346
NRF Number: 3395042
LVI Number: 3304020

Specification

Angle (°): 87.5
Length (mm): 93
Material: AISI 316L
Material (EN): EN 1.4404
Max Flow (l/s): 3.7
Minimum Flow (l/s): 2.5
Outlet dia. (mm): 75
Outlet Diameter (Inch): 3
Type: Traps
Water Seal Height (mm): 81
Weight (kg): 0.84
Weight (lbs): 1.85

Approvals



NO - 0692-16



AUS - WMKT00204 - 18B



DK - VA 2.41/19631-19



US - IAPMO File No.3247-19

MARINE - R4547 NATO CODIFICATION SYSTEM

Bureau Veritas, 02375-H0

Lloyds Register 92-00041 (E7)

ABS - 18-LD1716353-PDA

DNVGL - TAP0000023-rev2

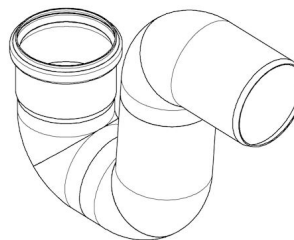
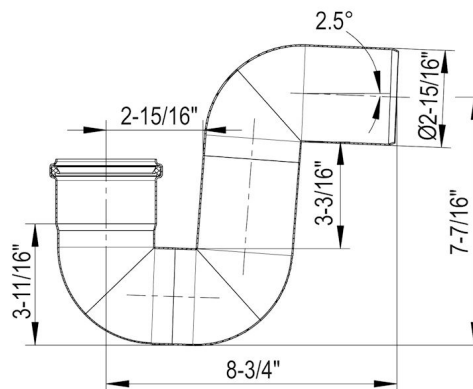
PL - Hygienic Certificate - All products

RS - 19.10098.262

KR - Type Approval CPH42135-PE001

Bureau Veritas - 03456-H0

US - NSF



BLÜCHER®